

## DX-SERIES DESKTOP MONOCHROME PRINTER

### Ideal Printer for the Desktop

The Sharp DX-B351PL Essentials Series Monochrome Printer delivers an output speed of up to 35 pages per minute (ppm) with proven durability and a low cost of operation. The DX-B351PL also provides a compact footprint combined with secure network printing, making it a great choice for confidential printing in executive offices, human resource departments and restricted areas of the workplace. Developed with the business user in mind, the DX-B351PL offers a low cost-per-page which helps keep office expenses under control.

### Key Features

- **Versatile** – A compact design combined with a strong set of standard features makes the DX-B351PL the ideal printer for offices with limited space.
- **Productive** – Delivers crisp output every time for all your document formats via standard PCL®6 and PostScript®3™ printing protocols.
- **Quick Setup** – Utilizes a one-step installation process and an easy-to-use keypad. Users can quickly control the print language, power settings, network configurations and security options.



*Compact design easily fits into small office spaces*



*Easy-to-use 2-line LCD operation panel*



*First print out time 8.2 seconds*

### Print capabilities to help your business gain a competitive advantage

- Productive printing speeds up to 35 ppm
- Automatic two-sided function for duplex printing
- Easy-to-use two-line LCD operational panel
- Simple and convenient one step installation process
- Compact design easily fits into small office spaces in desktop or workgroup environments
- 1,200 x 1,200 dpi printing delivers clear, crisp images and text page after page
- Professional quality output at an affordable price
- Silent mode creates less noise and helps maintain a comfortable environment
- Front facing bypass tray for easy printing of envelopes, labels and specialty media
- Standard PCL 6 and PostScript printing

# DX-B351PL SPECIFICATIONS

## Main Specifications

Type	Desktop monochrome printer
Display	2-line LCD Panel
Print System	Dry electrostatic transfer/Mono component/OPC drum/roller fusing/white LSU exposure
Output Size	Min. 5½" x 8½", Max. 8½" x 14"
Print Speed	35 ppm
First Print Time (in seconds)*	8.2 seconds
Warm Up Time	20 seconds
Paper Capacity	Maximum 251 Sheets
Paper Feed System	Standard: (1) 250-sheet paper drawer (letter/statement /legal/executive size) system and bypass tray (letter/statement/legal/executive/envelope size).
Paper Weights and Types	Paper drawers: 16-28 lb. bond. Other paper types include plain, pre-printed, recycled, pre-punched, letterhead and color paper. Bypass tray: 16-19 lb. bond (thin paper), 16-28 lb. bond (plain paper), 28 lb. bond -74 lb. cover (heavy paper), Monarch/Com-10 envelope. Also, label paper, gloss paper, pre-printed paper, recycled, pre-punched, letterhead, color paper and OHP film.
Duplexing	Standard automatic duplex printing
CPU	350 MHz
Interface	RJ-45 Ethernet (10Base-T, 100Base-TX), USB 2.0 (1 device port, rear)
Printer Memory	256 MB
Firmware Management	Firmware can be updated by USB or wired network connection.
Device Setup	Web-based management/admin level login
Service/Functions	Remote access to toner level
Accessibility Features	Beep sound features on key entry, adjustment of key touch sound, screen timeout disable

Design and specifications subject to change without notice.

## Main Specifications (continued)

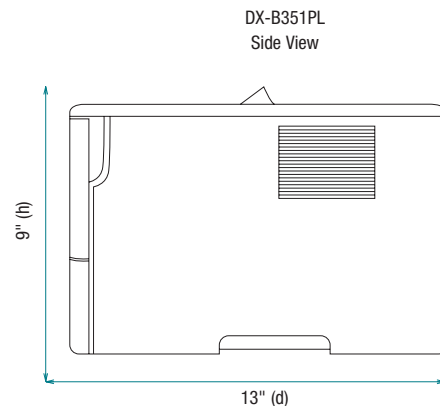
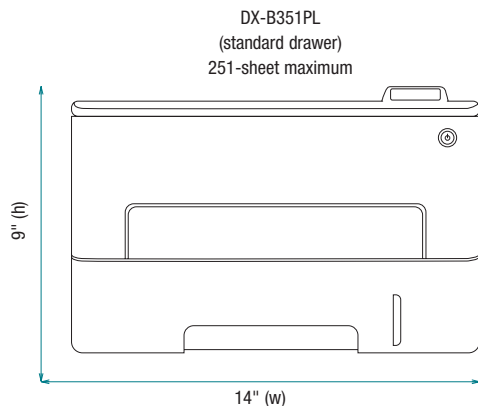
Environmental Standards	ENERGY STAR® Program Ver. 3.0
Power	AC 110 VAC, 60HZ, 9 A
Power	0.5 kW or less
Consumption	
Weight	Approx. 15 lbs.
Dimensions	Approx. 13.9" (w) x 13.1" (d) x 9.1" (h)
PDL	PCL5e, PCL6, PostScript compatible, PDF
Resolution	Max. 1,200 x 1,200 dpi
Print Drivers	Windows Server® 2003, Windows Server 2008, Windows Server 2012 x64, Windows XP, Windows Vista, Windows 7, Windows 8, Windows 8.1, Windows 10, MAC OS® (including 10.7 to 10.13)
Features	Duplex printing, driver delivery functions, toner save mode, power save mode, electronic sorting, N-up printing, image rotation, watermark
Resident Fonts	80 outline fonts (PCL), 136 fonts (PS)
Network Interface	RJ-45 Ethernet, 10 Base-T/100 Base-TX, USB 2.0
Operating Systems	Windows Server 2003, 2008 & 2012, Windows XP, Vista, 7, 8, 8.1, 10, Mac OS 10.7-10.13
Network Protocols	IPv4/IPv6, DHCP, DNS, RAW (Port9100), LPD / LPR, SNMP (v1), SMTP, HTTP/HTTPS (v1.1)
Printing Protocols	Raw TCP and LPD (port 9100), AirPrint, Wireless IPP (default)
Network Security	SSL/ TLS

## Optional Equipment

DX-B35TB	Toner Cartridge
DX-B35DU	Drum

\* May vary depending on product configuration, machine settings and operating and/or environmental conditions.

## Product Configuration



# SHARP®

SHARP ELECTRONICS CORPORATION  
100 Paragon Drive, Montvale, NJ 07645  
1-800-BE-SHARP • www.sharpsusa.com

Sharp and My Sharp and all related trademarks are trademarks or registered trademarks of Sharp Corporation and/or its affiliated companies. Windows and Windows Server are registered trademarks of Microsoft Corporation. PCL is a registered trademark of Hewlett Packard Company. PostScript is a registered trademark of Adobe Systems Inc. MacOS and Airprint are registered trademarks of Apple Inc. All other trademarks are the property of their respective owners.